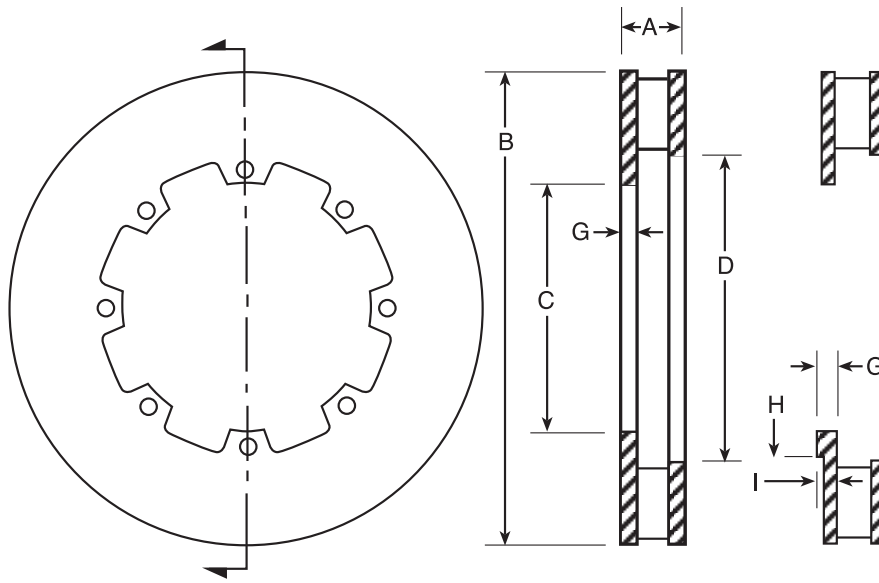


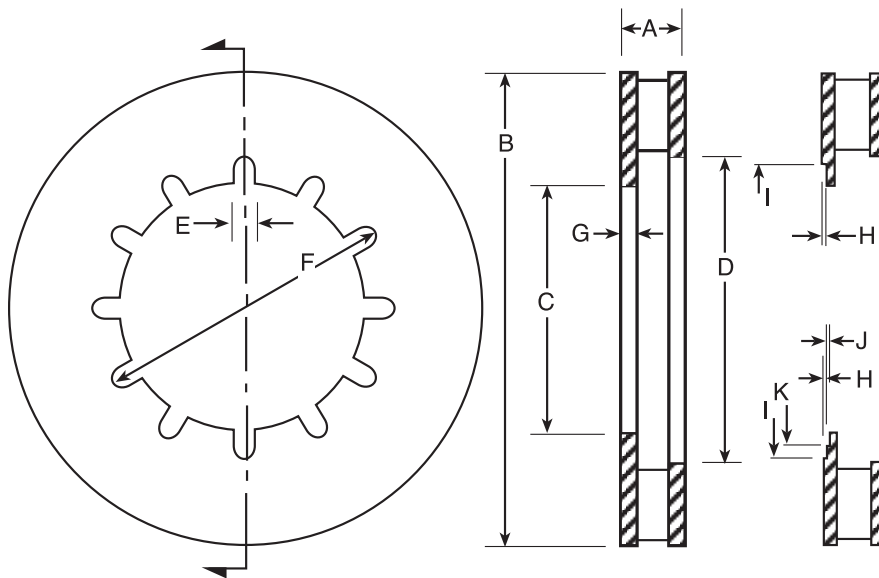
CUSTOM BRAKE ROTOR SPEC SHEET

SOLID MOUNT



A THICKNESS	
B OUTSIDE DIAMETER	
C FLANGE DIAMETER	
D EYE DIAMETER	
E SIZE OF HOLES	
NUMBER OF HOLES	
F BOLT CIRCLE	
G FLANGE THICKNESS	
H STEP DIAMETER	
I STEP DEPTH	

FLOATING MOUNT



A THICKNESS	
B OUTSIDE DIAMETER	
C FLANGE DIAMETER	
D FLANGE THICKNESS	
E EYE DIAMETER	
F SLOT WIDTH	
G SLOT TIP TO TIP	
H STEP DEPTH	
I STEP DIAMETER	
J STEP DEPTH	
K STEP DIAMETER	
L NO. OF SLOTS	

NOTE: Any custom rotors must have a spec sheet or blue print or sample rotor. We cannot make custom rotors from sizes over the phone.

COLEMAN

SHIP • RELIABLE PARTS • DEPENDABLE SERVICE • QUALITY CRAFTSMANSHIP • RELIABLE PARTS • DEPENDABLE SERVICE

LEXINGTON MOORESVILLE
1(800)222-6805 • 1(800)615-6759
FAX: 1(336)249-4922 • www.centralhp.com

