

**NSMX-T**

3 Piece Chrome Moly Steel,  
Nickel Plated, Teflon\* Lined,  
Extra Strength

**MATERIALS**

**BALL**

52100 Steel  
Rc 56 Min.  
Hard Chrome Plated

**BODY**

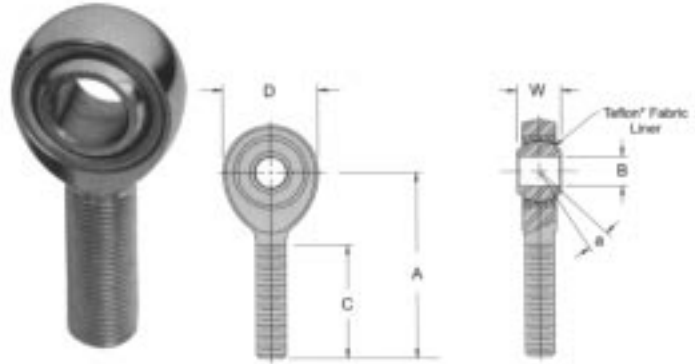
Heat Treated Chrome Moly  
Bright Electroless Nickel Plated

**RACE**

Mild Steel  
Zinc Plated  
Clear Chromate Treated

**LINER**

Teflon\* Fabric  
Permanently bonded to race I.D.



Right Hand		Left Hand		B +.0025 -.0005	W +.000 -.005	A ±.015	D ±.010	C +.062 -.031	UNF-3A	a°	Ultimate radical Static Load Capacity (pounds)	Approx. Weight (pounds)
Mfg. No.	Part No.	Mfg. No.	Part No.	Ball Bore	Ball Width	Centerline Length	Head Diameter	Thread Length	Thread Size	Misalign. Angle		
NSMX6T	5900606	NSMXL6T	6900606	.3750	.500	1.938	1.000	1.250	3/8-24	12	9,544	.112
NSMX8T	5900808	NSMXL8T	6900808	.5000	.625	2.438	1.312	1.500	1/2-20	12	16,238	.249
NSMX10T	5901010	NSMXL10T	6901010	.6250	.750	2.625	1.500	1.625	5/8-18	16	17,955	.382
NSMX12T	5901212	NSMXL12T	6901212	.7500	.875	2.875	1.750	1.750	3/4-16	14	28,081	.602

\*A trade mark E.I. DuPont de Nemours & Co.,Inc.

**TSMX-T**

3-Piece Chrome Moly Steel, 3-Piece,  
Zinc Plated, Teflon\* Lined,  
Extra Strength Chrome Moly Steel

**MATERIALS**

**BALL**

52100 Steel  
Rc 56 Min.  
Hard Chrome Plated

**BODY**

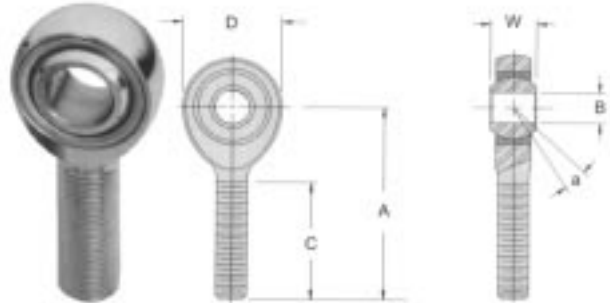
Heat Treated Chrome Moly  
Zinc Plated  
Clear Chromate Treated

**RACE**

Mild Steel  
Zinc Plated  
Clear Chromate Treated

**LINER**

Teflon\* Fabric  
Permanently bonded to race I.D.



Right Hand		Left Hand		B +.0025 -.0005	W +.000 -.005	A ±.015	D ±.010	C +.062 -.031	UNF-3A	a°	Ultimate radical Static Load Capacity (pounds)	Approx. Weight (pounds)
Mfg. No.	Part No.	Mfg. No.	Part No.	Ball Bore	Ball Width	Centerline Length	Head Diameter	Thread Length	Thread Size	Misalign. Angle		
TSMX3T	5540303	TSMXL3T	6540303	.1900	.312	1.250	.625	.750	10-32	13	2,851	.028
TSMX4T	5540404	TSMXL4T	6540404	.2500	.375	1.562	.750	1.000	1/4-28	16	5,260	.043
TSMX5T	5540505	TSMXL5T	6540505	.3125	.437	1.875	.875	1.250	5/16-24	14	7,369	.072
TSMX6T	5540606	TSMXL6T	6540606	.3750	.500	1.938	1.000	1.250	3/8-24	12	9,544	.112
TSMX7T	5540707	TSMXL7T	6540707	.4375	.562	2.125	1.125	1.375	7/16-20	14	10,285	.160
TSMX8T	5540808	TSMXL8T	6540808	.5000	.625	2.438	1.312	1.500	1/2-20	12	16,238	.249
TSMX10T	5541010	TSMXL10T	6541010	.6250	.750	2.625	1.500	1.625	5/8-18	16	17,955	.382
TSMX12T	5541212	TSMXL12T	6541212	.7500	.875	2.875	1.750	1.750	3/4-16	14	28,081	.602
TSMX16T	5541620	TSMXL16T	6541620	1.0000	1.375	4.125	2.750	2.125	1 1/4-12	14	76,200	2.127

\*A trade mark E.I. DuPont de Nemours & Co.,Inc.

BLE SERVICE • QUALITY CRAFTSMANSHIP • RELIABLE PARTS • DEPENDABLE SERVICE • QUALITY CRAFTSMAN



LEXINGTON MOORESVILLE  
**I(800)222-6805 • I(800)615-6759**  
**FAX: I(336)249-4922 • www.centralhp.com**